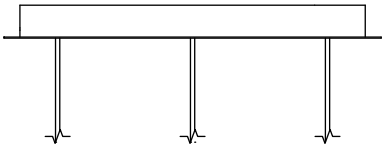
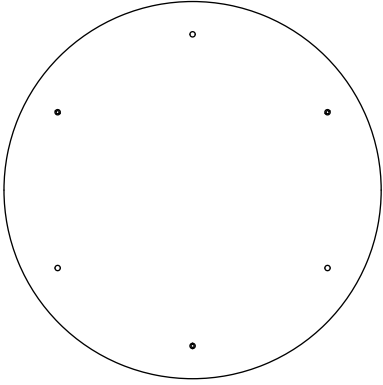


Ama Blimp Buoy Pebbles



loomma

Installation Manual
for Multiple Canopies

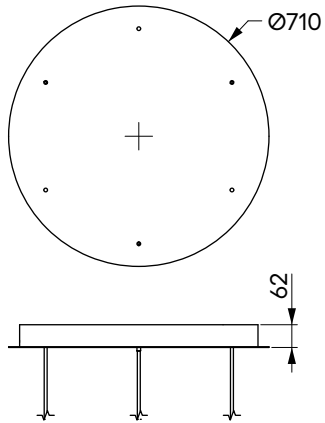
Keep for later use!

Introduction

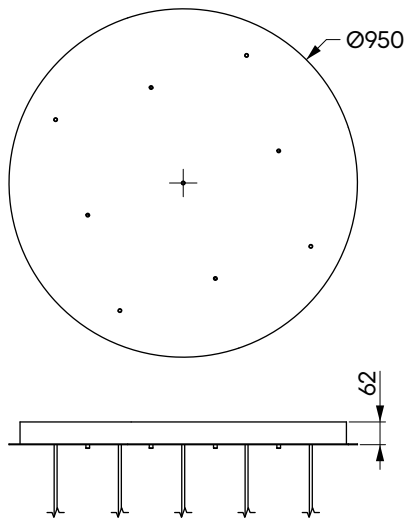
- Please read this user's manual carefully prior to installation and follow its instructions and recommendations.
- **The installation of the canopy requires more than one person.**
- This is a general guide. The shape and size of the ceiling canopy in the pictures of the assembly process may not correspond to the actual shape and size of the canopy you have purchased, however, the installation principle remains the same.
- For safety reasons, as well as for warranty purposes, it is forbidden to use this product in breach of this manual and other purposes stipulated in this manual.
- Prior to assembly, use an appropriate circuit breaker to turn off electricity.
- All interventions regarding the wiring of the light fixture may only be carried out by a qualified electrician.
- The producer bears no liability for damage caused by improper installation.
- The surface of the mounting may also include minor imperfections due to manual production.
- The pendant light is intended for interior lighting.
- The producer reserves the right to make minor changes to the construction of the light fixture without prior notice.

Components included in the package

- Canopy
- Allen key
- Installation manual
- Gloves (2x)



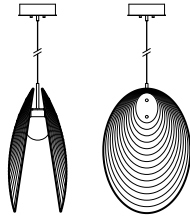
canopy weight: 18 kg



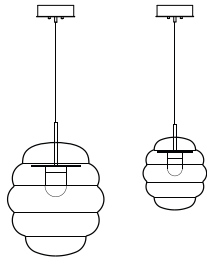
canopy weight: 32 kg

This is the installation manual for the multiple canopy. For proper installation study also the installation manual for your chosen lighting fixture.

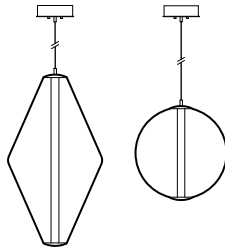
Scan the QR code to view the manual.



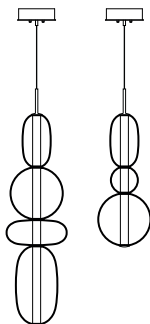
Ama



Blimp



Buoy



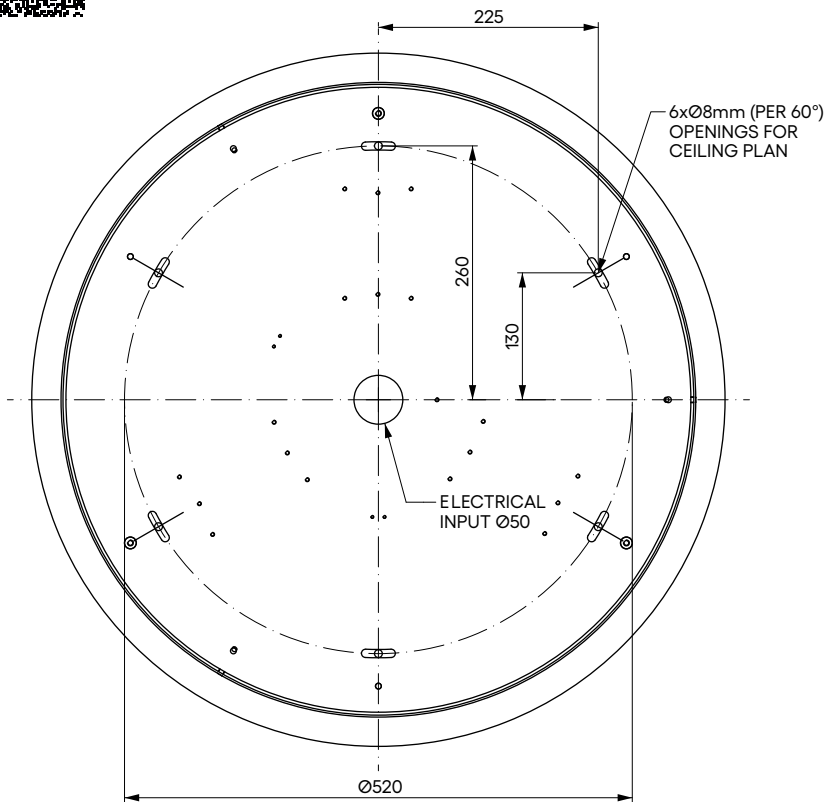
Pebbles



Before you begin, see the Fixing plan (p. 4 and 5) and Examples of recommended fixing (p. 6).

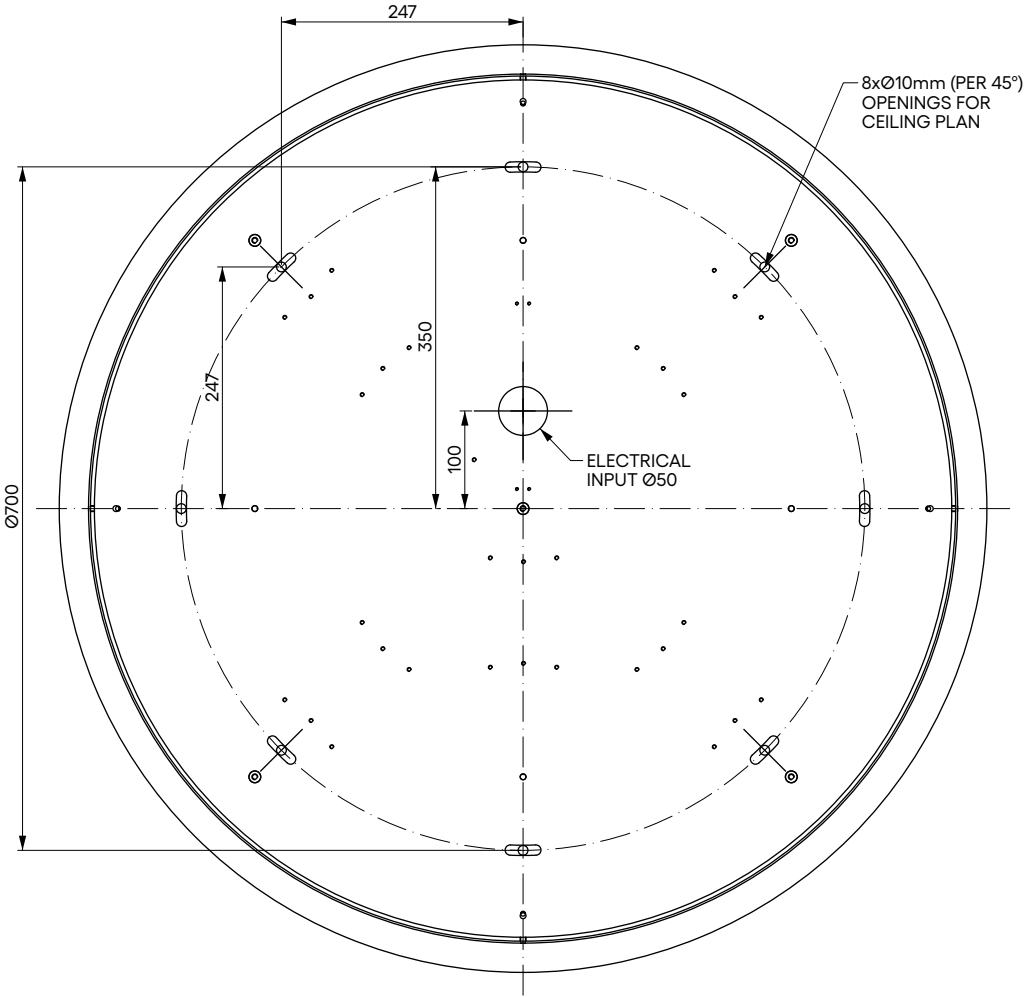
Fixing plan - canopy $\text{\O}710$

download link
anchor plate drawing 1:1



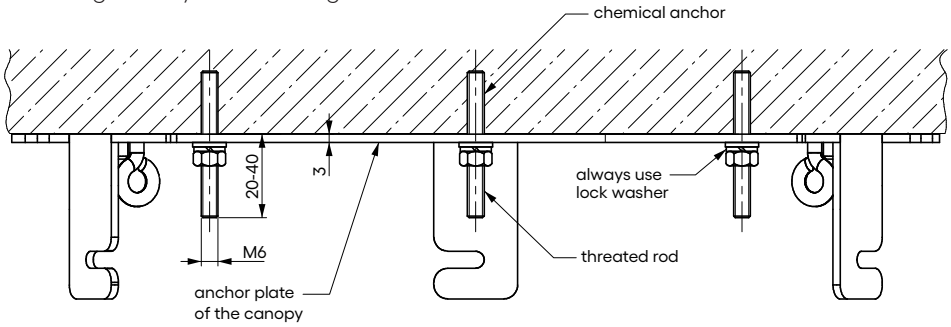
Fixing plan - canopy $\varnothing 950$

download link
anchor plate drawing 1:1

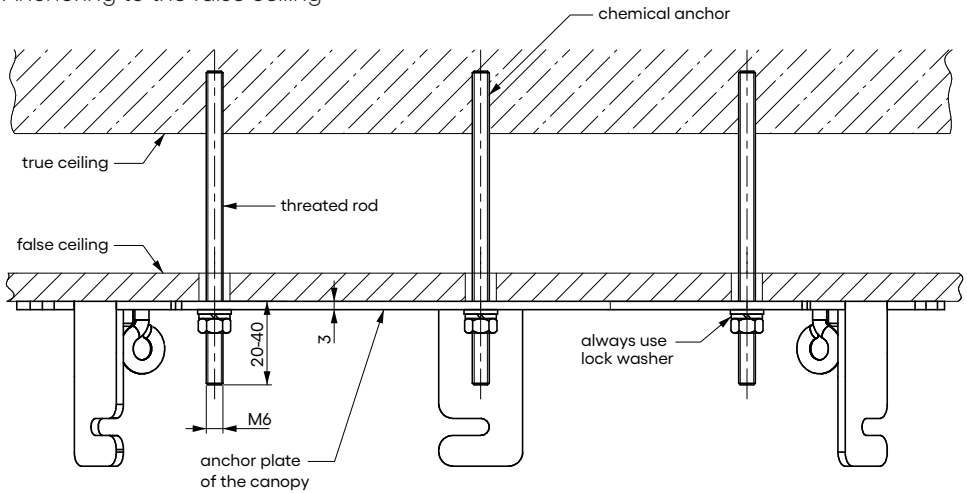


Examples of recommended fixing

1) Anchoring directly to the ceiling



2) Anchoring to the false ceiling

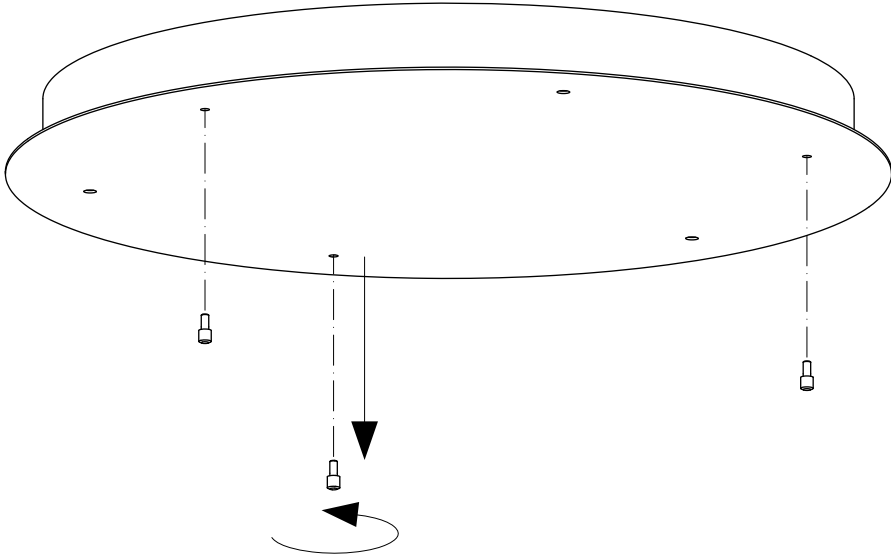


The ceiling and support preparation, the compliance with local building code and responsibility for safety, security and structural soundness is born by the client and the client's main contractor / ceiling contractor.

Bomma bears no responsibility for the preparation of the ceiling or threaded rods and accepts no responsibility for the safety of installation.

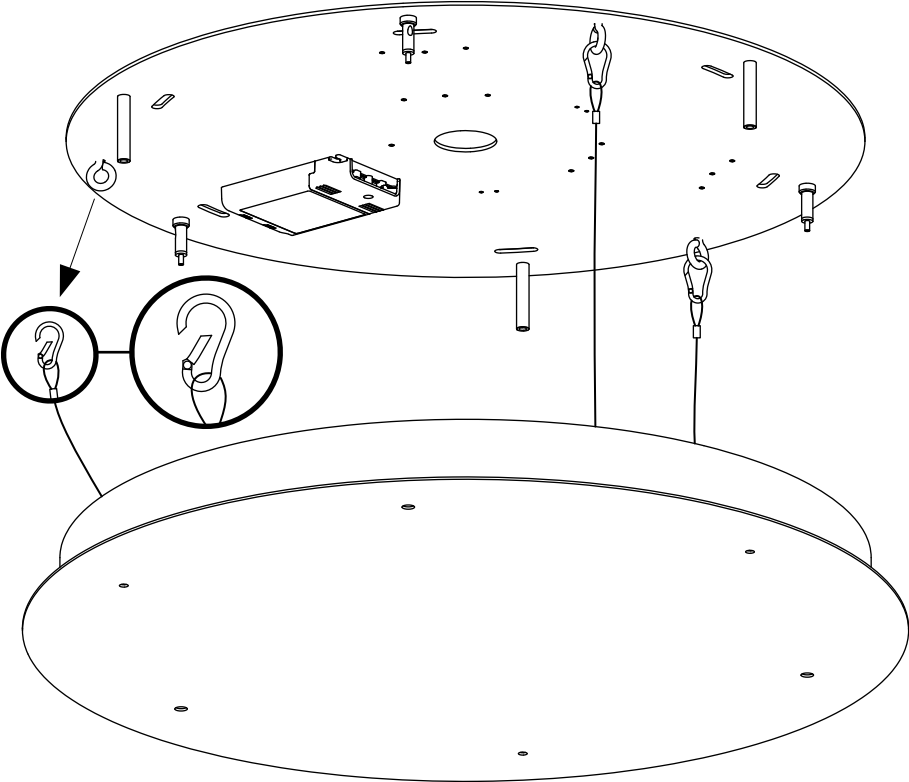
1

Remove the three screws and remove the canopy cover from the anchor plate.



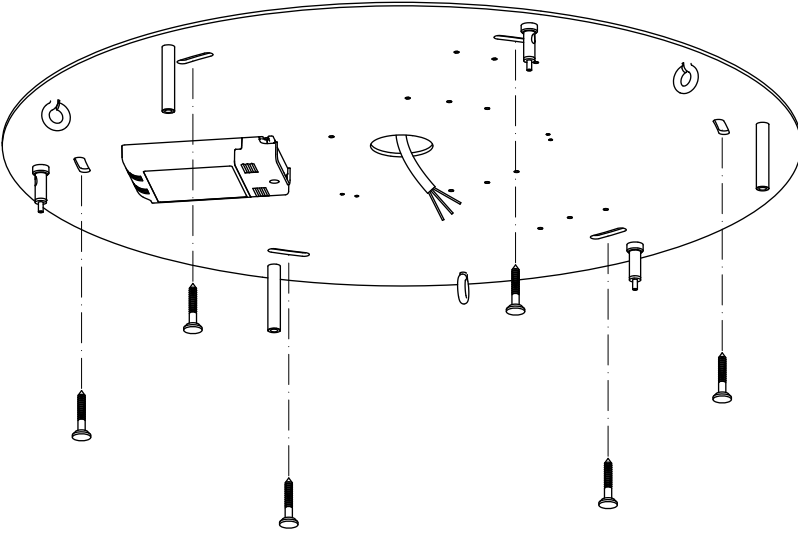
2

For easier handling, disconnect the canopy from the anchor plate using a snap-hooks.



3

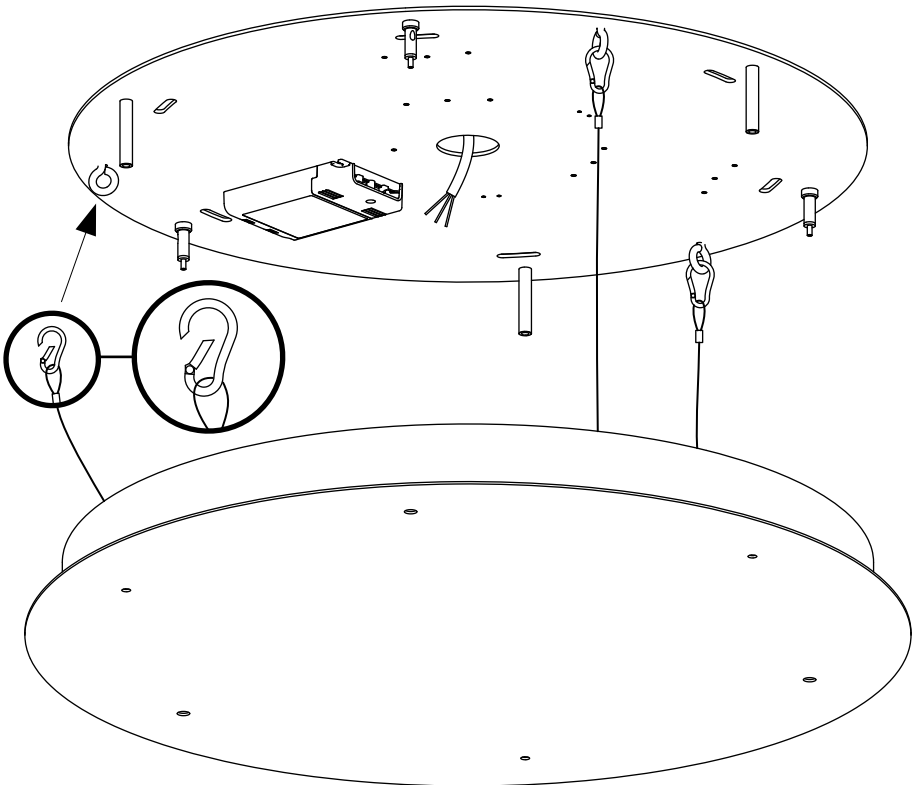
Thread the anchor plate on the supply conductor from the ceiling and fasten it appropriately according to the safety and local standards in accordance with the weight of the light fixture and the ceiling material (threaded rod, wall plugs and screws, others - these are not part of the package).
Bomma bears no responsibility for the chosen solution or its implementation.



4

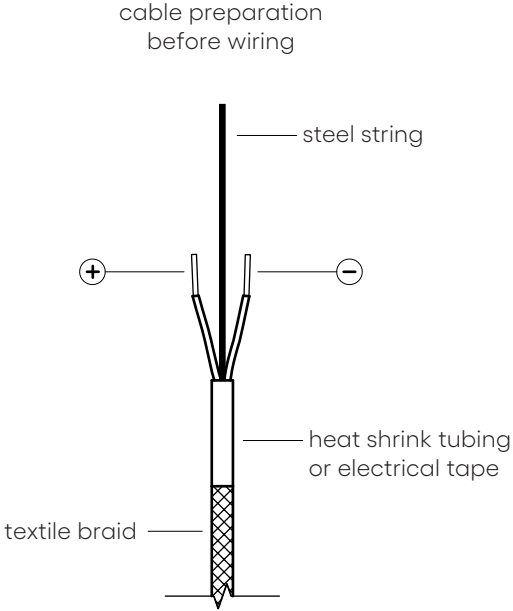
Reconnect the canopy to the anchor plate using a snap-hooks.

When reconnecting, make sure that there are red marks on the anchor plate and the canopy overlapped.



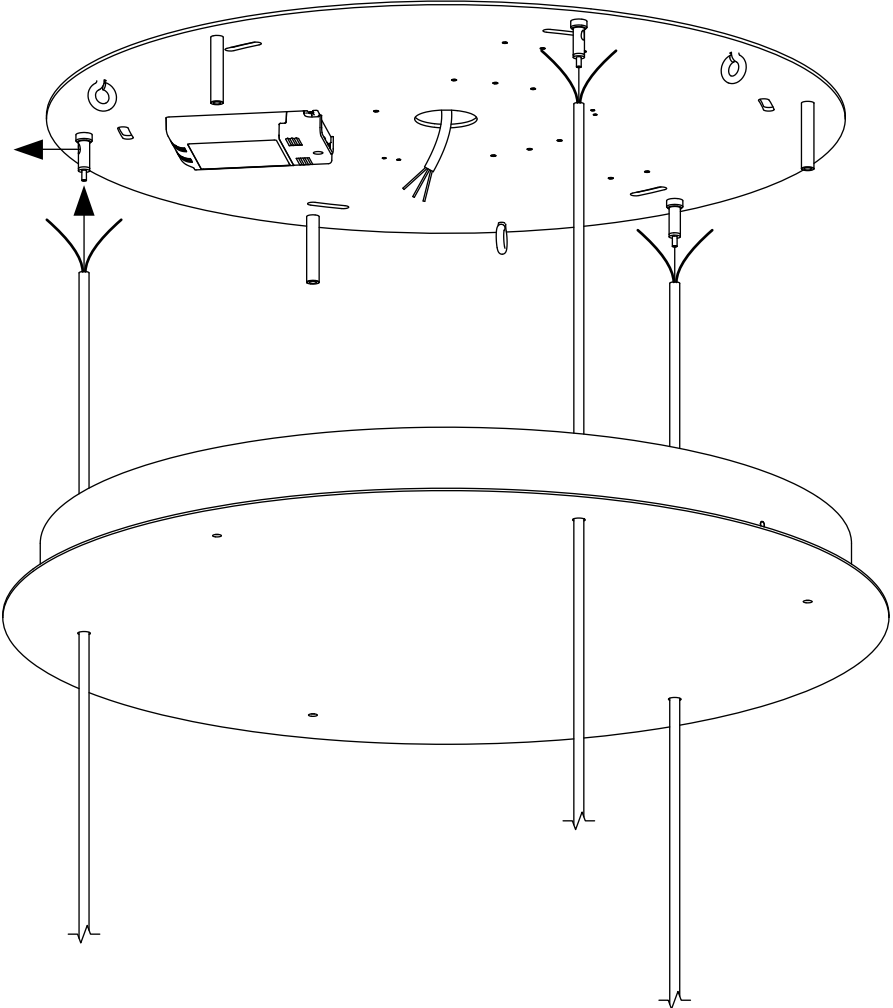
5

Measure the required cable length and shorten it. Adjust the end of the cable for connection inside the canopy as shown below. Repeat this step for all cables.



6

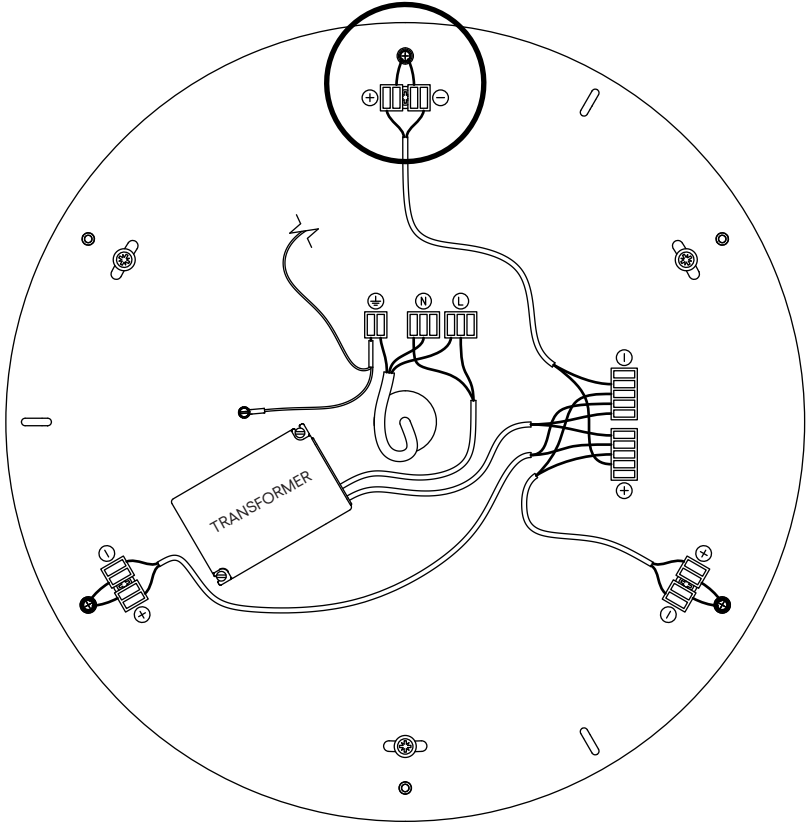
Thread the cables through the canopy and the supporting steel cable insert into the reutlinger. The steel cable end must protrude from the side hole.



7

Perform the wiring according to the diagram. The image is for illustrative purposes only and may not match the configuration you purchased. The principle of installation is the same for all canopies.

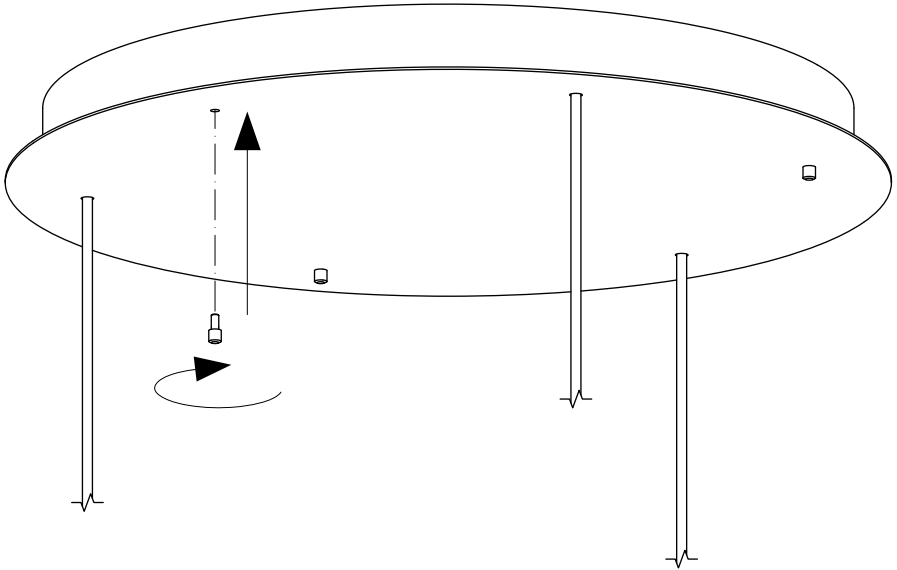
Connect the cable ends (+) and (-) to the prepared terminals.



Lift the canopy cover and re-screw it to the anchor plate with the three screws.

Congratulations! The installation of the canopy is complete.

When dismantling, first turn off the light and disconnect from the power supply. Then follow the above steps in reverse order. Use the original or similar packaging for possible later transport of the light fixture to prevent damage.



Disposal

Upon the expiration of the product's shelf life, proceed in accordance to legal regulations for environmental protection and public health safety.

Waste Materials Catalog

Number	Category	Name
10 11 11*	N	Waste glass in small particles and glass powder containing heavy metals
10 11 12	O	Waste glass other than those mentioned in 10 11 11
17 04 01	O	Copper, bronze, brass
17 04 05	O	Iron and steel
20 01 01	O	Paper and cardboard
15 01 05	O	Composite packaging

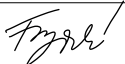
Contact

BMRC GROUP s.r.o.
Pod dráhou 1638/7, Holešovice,
170 00 Praha 7
Czech Republic
+420 569 453 149
info@bomma.cz
www.bomma.cz

Instagram bomma_cz

Facebook bommacz

bomma.cz

drawn by	approved by	revision	date	signature
Karel Jankovský	Jana Fryšavská	1	9. 2024	

Control

Date of packaging

step beyond